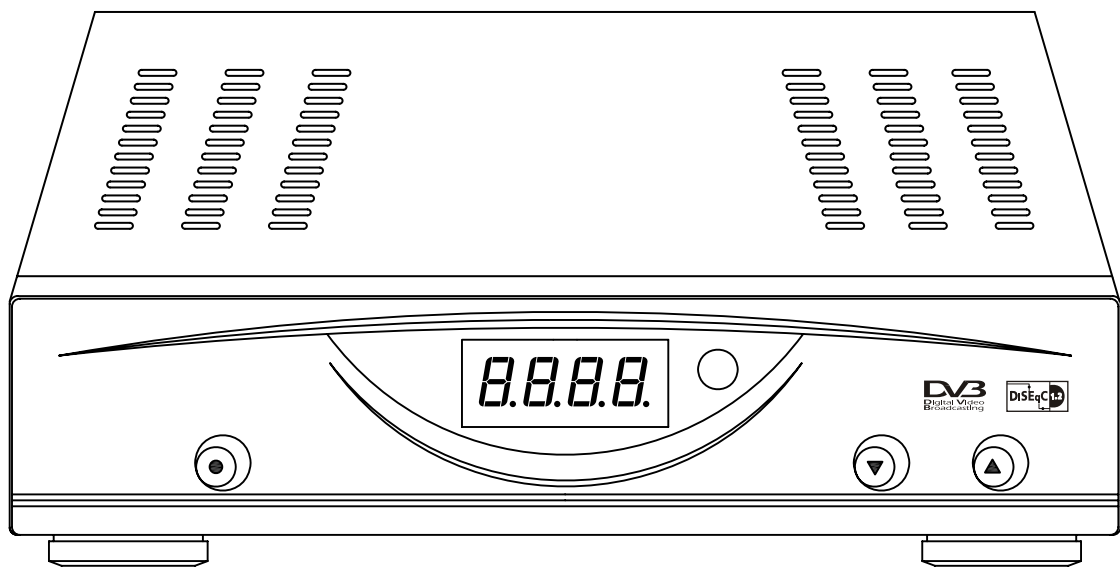


Digital Satellite Receiver

Operating manual



SAFETY PRECAUTION

CAUTION:



The lightning flash with arrowhead symbol, within an equilateral triangle, is intended to alert the user to "dangerous voltage" and to prevent from a risk of electric shock.



Warning:

To reduce the risk of electric shock, don't open the cabinet. Turn to qualified personnel for service only.



The exclamation point within an equilateral triangle is intended to alert the user to important operating and maintenance (servicing).

WARNING: Keep this STB away from water . Do not use it near flower vase, washbowls, kitchen sinks, laundry tubs, swimming pools, etc.

WARNING: Do not put candle or lamp on the cabinet; otherwise, there is the danger of fire.

WARNING: The unit should be connected to a power supply only of the type described in the operating instructions or as marked on the unit. If you are not sure of the type of power supply (for example, 120 or 230 V) to your home, consult your local dealer or local power company.

WARNING: This product install diodes. Do not open the cabinet or touch any parts in the inner mechanism. Consult your local dealer for technical service if the opening is required.

Note: To ensure proper use of this product, please read this User manual carefully and retain it for further reference.

Note: This product install diodes. Do not open the cabinet to avoid the unit direct exposure to radiation.

Unit Cleaning: After the unit power is turned off, you can clean the cabinet, panel and remote control with a soft cloth slightly moistened with a mild detergent solution.

Attachments: Never add any attachments and/or equipments without the manufacturer 's consent; because they may result in the risk of fire, electric shock, or other personal injury.

Locating: Slots and openings in the cabinet are provided for ventilation to protect it from overheating. Do not block these openings or allow them to be blocked by placing the STB on a bed, sofa, or other similar surface, nor should it be placed over a radiator or heat register.

Power-Cord Protection: keep the power-supply cords away from being walked on. Please pay special attentions to cords at plugs, convenient receptacles, and the point where they exit from the unit.

Object and Liquid Entry: Never put any kind of objects into this STB through openings, as they may touch dangerous voltage points or short-out parts that could result in a fire or electric shock. Do not spill any liquid on the STB.

Note: Moisture may be formed on the lens in the following conditions:

- when the unit is suddenly moved from a cold environment or an air-conditioning room to a warm place.
- immediately after a heater has been turned on.
- in a steamy or very humid room.

If the moisture forms inside the unit, it may not work properly. To solve this problem, turn on the power and wait for about two hours for the moisture to evaporate.

Parts Replacement: When the unit parts need to be replaced, users should make sure the service technician use the replacement parts specified by the manufacturer or having the same characteristics as the original part. Unauthorized replacement may put the unit in the risk of fire, electric shock or other hazards.

Safety Check: After all the maintenances and repairs are done, user is required to request the service technician to conduct the overall safety check to ensure the machine is in the proper condition.

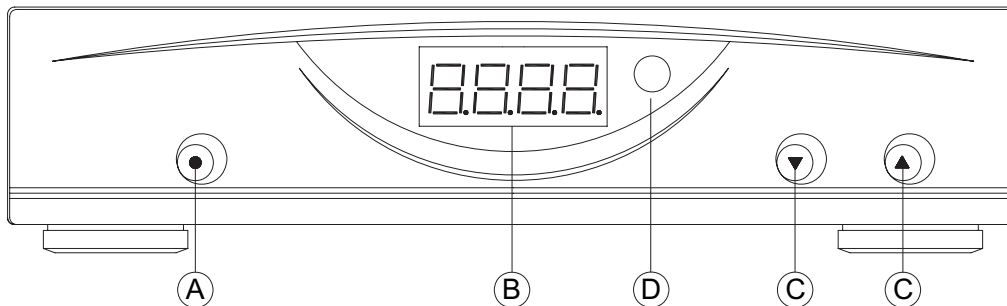
CONTENTS

1.	DESCRIPTION.....	4
1.1	FRONT PANEL/REAR PANEL.....	4
1.2	REMOTE CONTROL.....	5
2.	BASIC OPERATIONS.....	6
2.1	TURN ON STB.....	6
2.2	STANDBY MODE:.....	6
2.3	CHANNEL.....	7
2.4	VOLUME.....	7
2.5	NUMBER.....	7
2.6	MUTE.....	7
2.7	PAUSE.....	7
2.8	RECALL.....	7
2.9	FAV +/-.....	8
2.10	ZOOM.....	8
2.11	AUDIO TRACK / AUDIO MODE.....	8
2.12	INFORMATION.....	8
2.13	EPG.....	8
2.14	TV/RADIO.....	8
2.15	CHANNEL LIST.....	8
2.16	CHANGE SATELLITE.....	8
2.17	MULTI-PICTURES.....	8
3.	CHANNEL.....	10
3.1	TV CHANNEL LIST.....	10
3.1.1.	<i>Favorite</i>	10
3.1.2.	<i>Move</i>	10
3.1.3.	<i>Find</i>	11
3.1.4.	<i>Sort</i>	11
3.1.5.	<i>TV Channel List Edit</i>	11
3.1.5.1.	Delete.....	11
3.1.5.2.	Skip.....	11
3.1.5.3.	Lock.....	11
3.1.5.4.	Edit.....	12
3.1.5.5.	Create.....	12
3.2	RADIO CHANNEL LIST.....	12
3.3	DELETE ALL.....	12
4.	INSTALLATION.....	13
4.1	ANTENNA SETUP.....	13
4.2	AUTO SCAN.....	13
4.3	TP SCAN.....	14
4.4	PRESET SCAN.....	15
5.	SYSTEM SETUP.....	16
5.1	LANGUAGE.....	16
5.2	TV SYSTEM.....	16
5.3	CHANNEL SETUP.....	17
5.4	TIME & TIMER SETTING.....	17
5.5	OSD SETTING.....	18
5.6	PARENTAL LOCK.....	19
5.7	LNB POWER.....	20
6.	TOOLS.....	20
6.1	INFORMATION.....	20
6.2	GAME.....	20
6.3	DEFAULT VALUE.....	21
6.4	SOFTWARE UPGRADE.....	21

Remote Control & Panel Description

1.1. FRONT / REAR PANEL

Front Panel



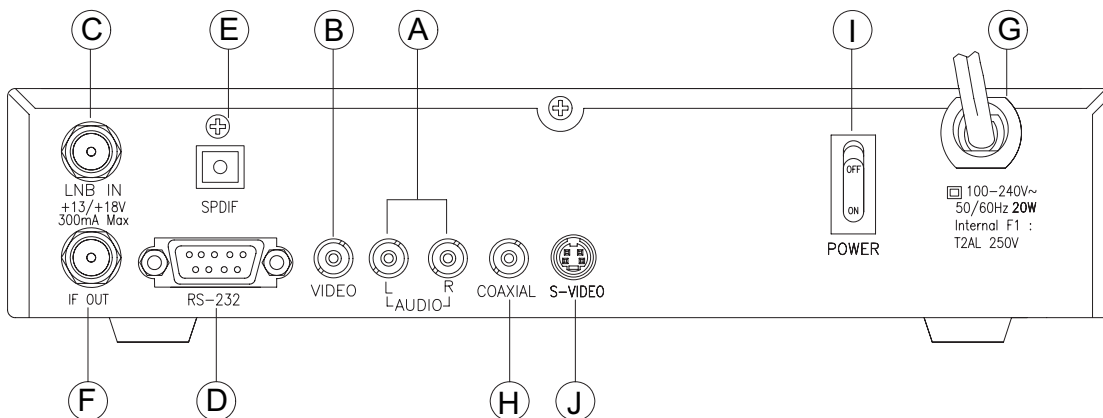
A : ● Power : The power button of STB (ON/Stand by)

B : LED Indicator .

C : ▲/▼ : The channel buttons are to change channels.

D : Remote sensor .

Rear Panel



A: AUDIO OUTPUT : Audio left output (WHITE), Audio Right output (RED).

B: Video : Video output (YELLOW).

C: IF- INPUT : Connects the satellite antenna cable.

D: RS-232 : Upgrades the STB Program & software.

E: Spdif : Spdif coaxial.

F: Loop : Use it to connect to another STB.

G: AC Cord / Plug : Connect the home plug.

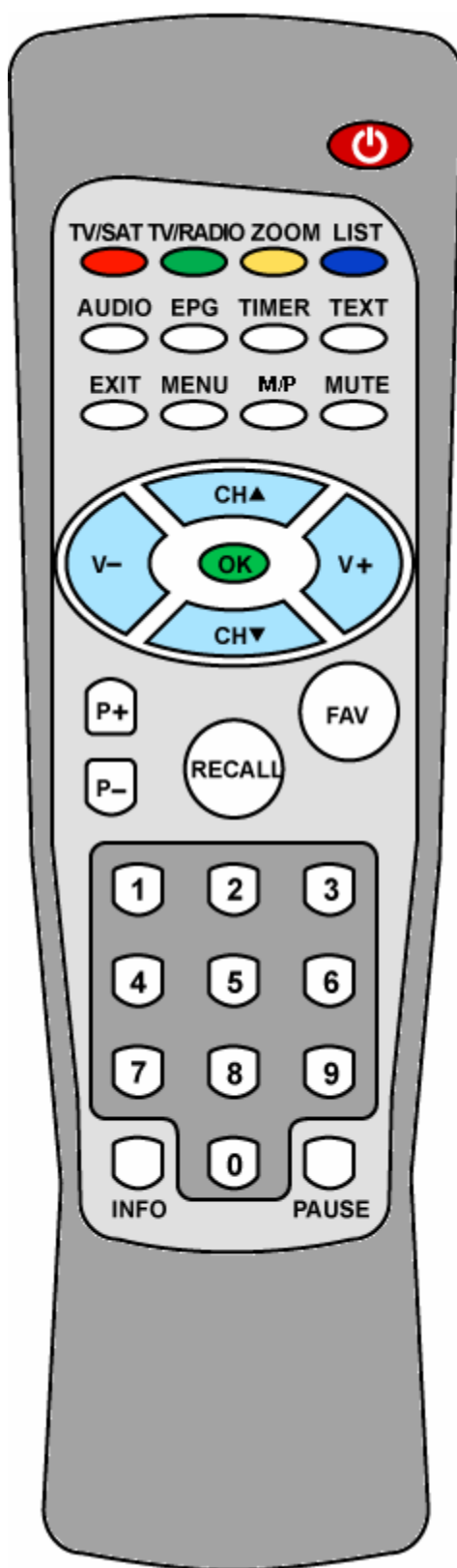
H: Coaxial : Digital coaxial audio output

I: Main Power Switch : Switching the receiver power supply.

J: S-VIDEO : S-VIDEO connection.

Remote Control & Panel Description

1.2. Remote Control



2. Basic Operations

2.1 Turn on STB

Press the Device's Main 『Power』 to turn on the unit. If the STB is used for the first time, it will play the first channel from the default Channel List. Otherwise, it will play the last channel before being turned off.

? Frequently Asked Question

Q: The power of my STB has been turned on and not in Standby mode, but the TV screen shows nothing:

A: Make sure the TV set has been set to the correct video input (not the TV channels). For example, if you have connected the unit with the Video1 input of the TV set, the TV set has to be switched to Video1.

Q: The power of my STB has been turned on and not in Standby mode, but the TV screen shows nothing except “one ball with No Signal image”.

A: This means the channel you select has no signal.

There could be several causes:

- 1 The channel which you select is not in your allocated satellite. The solution is to change the channel.
- 2 The signal of current TV channel is too weak. Try to switch to other strong-signal channels. If the problems still exist, please consult your local dealer or other professionals for technical service.
- 3 You have used the Dual LNB, and need [Modify LNB Type](#)

2.2 Standby Mode:

- 1 Pressing Key 『Power』 can enter the Standby mode.
- 2 In Standby mode, pressing Key 『Power』 again will exit the standby mode.
- 3 Users can also disconnect the device's main power to end the Standby mode.

Basic Operations

Let's start

2.3 Channel

In full screen, press keys 『Channel Up/Channel Down』 to change channel.

2.4 Volume

In full screen, press keys 『Volume +/Volume -』 to adjust volume.

2.5 Number

In full screen, use number keys and press 『OK』 on the Remote Control Unit to change channels.

2.6 Mute

- 1 Press key 『Mute』 to mute the sound and the

screen will show



- 2 Press key 『Mute』 again to restore sound.

2.7 Pause

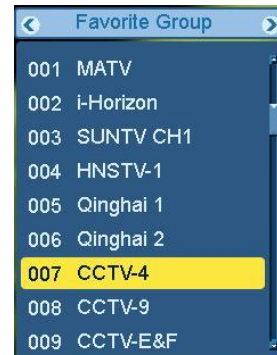
- 1 In playing mode, press key 『Pause』, and the picture will pause, but the sound of the channel will still remain.
- 2 Press key 『Pause』 again, and the screen's picture will skip over to the current playing picture, and the sound of the channel will correspondingly play.

2.8 Recall

Press key 『Recall』 to switch to the previous channel that you were watching.

2.9 FAV

- 1 In full screen, press key 『FAV』, and it will display a window of "Favorite Group on the left of the screen like below.



- 2 In the window of "Favorite Group", you can move highlight by pressing keys 『Channel Up/Channel Down』, then press 『OK』 key to set favorite channel you choose.
- 3 Keys 『CH+/CH-』 and 『V+V-』 can implement the "Page up/Page down" function.
- 4 The favorite group is the favorite channels you have marked in Menu "TV channel list". Please refer to [Favorite](#).
- 5 Press 『Exit』 key to exit the "Favorite" menu.

? Frequently Asked Question

Q: Why the screen displays "No Favorite Channel", after pressing 『FAV』 key?

A: It is because you haven't set any channels as "favorite channel". Please refer to [Favorite](#)

Basic Operations

2.10 Zoom

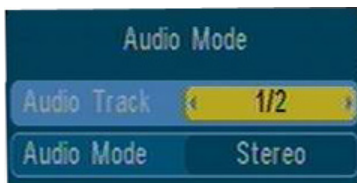
- 1 The key [Zoom] allows you to magnify a certain area on the images and the current screen will show



- 2 Press key [Zoom] again, the image will enlarge as x1, x2, x4, x6, x8, x12, x16.
- 3 In "x2 ~ x16" image, [Channel Up/ Channel Down/ Volume +/ Volume -] keys are to move the inner yellow square you want to see.
- 4 In zoom mode, press [Exit] to close "Zoom" window.

2.11 Audio Track / Audio Mode

- 1 In full screen, pressing key [Audio] can open the "Audio Mode" window on the right side of the screen.



- 2 You can move highlight by pressing keys [Ch+ / Ch-] and switch each selection by pressing [V +/ V-] keys

2.12 Information

In full screen, pressing key [Info] can open information screen. The window shows the parameters of current channel.

2.13 EPG

- 1 The STB has an Electronic Program Guide (EPG) to help you select channels through all the possible viewing options. The EPG supplies information such as channel lists and time starting/ ending for all available channels. Press key [EPG] to display EPG screen.



Pressing number key [1] can display all programs' information of the selected channel, then press key [OK] in each item for more detailed information.

- 2 Pressing number key [2] can see more details of the selected program.
- 3 In EPG menu, press key [Exit] to close EPG screen.

2.14 TV/RADIO

In TV mode, pressing key [TV/RADIO] can switch to Radio mode.

In Radio mode, pressing key [TV/RADIO] can switch to TV mode.

2.15 Channel List

- 1 In full screen, pressing [OK] key can enter "Channel List", please refer to [TV Channel List](#) for detailed information.
- 2 In "Channel List" menu, press [OK] key to exit back to full screen.

2.16 Change Satellite

- 1 In full screen, pressing key [CH+/CH-] can switch satellite directly.
- 2 In full screen, pressing key [TV/SAT] can open satellite list and switch satellites.

2.17 Multi-Pictures

In full screen, pressing key [M/P] can enter the Multi-Pictures mode like below:

Basic Operations

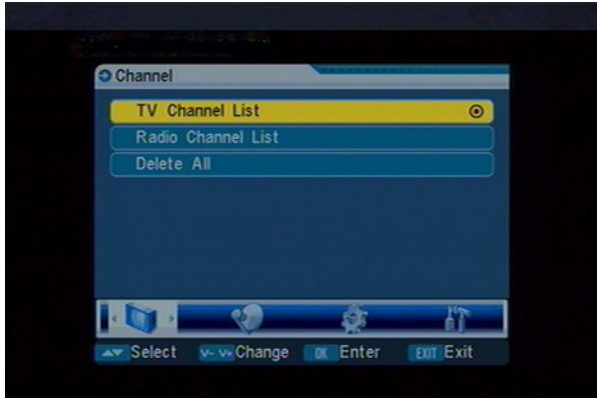


- 1 In Multi-Pictures mode, the screen will display 9 channels' preview window (static) from the current channel. And only the highlighted preview program can play normally.
- 2 Press 『Ch+ / Ch- / V+ / V-』 keys can move highlight among each preview program, and only the highlighted preview program can play normally.
- 3 When the highlight moves to the preview program that you want to play, you can press key 『OK』 to enter the full screen play.

Basic Operations

3. Channel

When you press key [Menu] to enter “Channel” menu, it will display the picture like below:



In “Channel” menu:

- 1 Press key [V+/V-] to select pages among “Channel”, “Installation”, “System” and “Tools”.
- 2 Press key [Ch+/Ch-] to select menu items among TV Channel, Radio Channel and Delete All.
- 3 Press key [OK] to enter the selected item.

3.1 TV Channel List

When you enter “Channel List” menu, it will display the screen like below.



- 1 You can move highlight by pressing [Ch+/Ch-] keys, then press [OK] key to preview the current highlighted program in the right side preview window.
- 2 You can press [Ch+/ Ch-] keys to implement the Page Up/Page Down function.
- 3 You can use [Volume +/Volume -] keys to switch “Program Group”.

- 4 You can press key [Menu] or [Exit] to enter full screen playing mode.
- 5 Pressing the number key [1]~[5] can implement the corresponding function in “Channel List”.

3.1.1. Favorite



- 1 You can press number key [1] to mark your Favorite channels.
- 2 The favorite channels you mark will be shown like the picture above.
- 3 Press key [1] again, you can delete the marked channels.
- 4 In full screen, when you press [FAV], there will be a “favorite group” according to what you have marked. Please refer to [\[FAV\]](#).

3.1.2. Move



- 1 Press number key [2], it will show a “moving mark” in the right side of the selected channel like above.
- 2 You can select the channel that you want to watch by pressing [Channel Up/Channel Down] keys, and press key [OK] to confirm your decision.

Basic Operations

3.1.3. Find



- 1 Press number key [3] can open the "Find" window like above. You can press [Channel Up/Channel Down/Volume +/Volume -] keys to move highlight and press key [OK] to input the selected symbol.
- 2 After inputting, the program list on the left will search and list the matched channels according to your input. Then press key [OK] to enter the channel you want to watch.
- 3 Pressing key [Exit] can close "Find" window and you can still select the channels directly from the found channels list on the left.

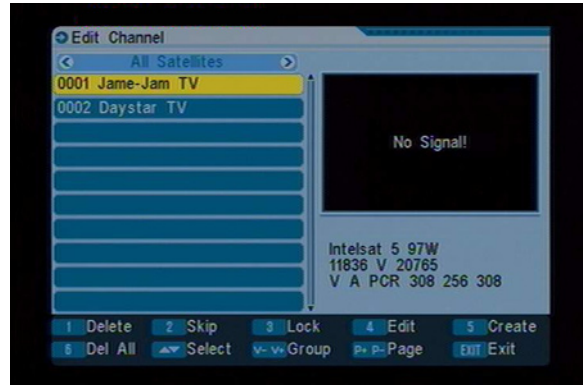
3.1.4. Sort



- 1 Pressing number key [4] can open the "Sort" window like above. There are five ways of sorting. You can press [Channel Up/Channel Down] keys to move highlight and press [OK] key to confirm your selection
- 2 The five ways of sorting are:
 - ✧ Default: Sort by scanning results.
 - ✧ Name (A-Z): Sort in Alphabetical Order, ignoring "\$" symbol.

- ✧ Name (Z-A): Sort in Alphabetical Order, ignoring "\$" symbol.
- ✧ FTA: Sort out all free channels.
- ✧ Lock: Accumulate all locked channels and put them in the rear of TV Channel List.

3.1.5. TV Channel List Edit



- 1 Pressing number key [5] will open a message box for you to enter a password, and the default password is "0000"
- 2 There are five items of "TV Channel List Edits": Delete, Skip, Lock, Edit, and Create.
- 3 Pressing [Exit] can exit "TV Channel List Edit" menu. The system will show a message box to ask you whether you want to save it or not.

3.1.5.1. Delete

In "TV Channel List Edit" menu, pressing number key [1] can make a [delete] mark in the right side of the highlighted channel. After you save and exit "TV Channel List Edit" menu, the marked channel will be deleted.

3.1.5.2. Skip

In "TV Channel List Edit" menu, pressing number key [2] can make a "skip mark" in the right side of the highlighted channel. After you save and exit "TV Channel List Edit" menu, the channel will be skipped while you change channels in the full screen.

3.1.5.3. Lock

In "TV Channel List Edit" menu, pressing number key [3] can make a "lock mark" in the right side of the highlighted channel. After you save and exit "TV Channel List Edit" menu, STB will request you

Basic Operations

to input the password if you want to watch the locked channel.

3.1.5.4. Edit

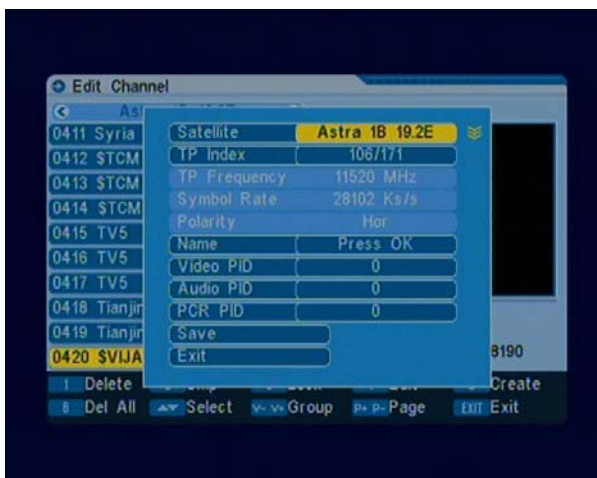
In “TV Channel List Edit” menu, press number key 『4』 to enter editing box like below:



- 1 On the “Name” item, press 『OK』 key can display keypad to edit the name of selected channel.
- 2 On the “Video PID”, “Audio PID” and “PCR PID” items, you can input numerals to modify them according item’s value.
- 3 After modification, move highlight to “Save” item and pressing 『OK』 key can save the modified value and exit “Edit” mode. Otherwise, move highlight to 『Exit』 item and press 『OK』 key to exit “Edit” mode without saving any modification.

3.1.5.5. Create

In “TV Channel List Edit” menu, press number key 『5』 to enter the creating window like below:



- 1 In “Satellite” item, press key 『OK』 to display satellite list and select a satellite that you want to use.

- 2 In “TP Index” item, you can press 『Volume +/Volume -』 keys to switch TP number, and the next three items will show up with corresponding parameters.
- 3 In “Name” item, pressing key 『OK』 can display the keypad, and you can edit the name for selected channel.
- 4 In “Video PID”, “Audio PID” and “PCR PID” items, you can use the number key to directly modify corresponding parameters of the items.
- 5 After modification, move highlight to “Save” item and press key 『OK』 to save parameter and exit “Edit” mode. Otherwise, move highlight to 『Exit』 item and press key 『OK』 to exit “Edit” mode without saving any modifications.

3.2 Radio Channel List

Basically, the operation of “Radio Channel List” is as same as “TV Channel List”, **but there is one different point:** In “Radio Channel List” mode, there is no video information, so it will always display Radio’s logo in the right side of the preview window.

3.3 Delete All

In “Delete All” item:

- 1 Displays a dialogue for users to key in password. The default Password is “0000”.
- 2 When you input the correct password, you will see a warning message box to ask you whether you want to delete all or not.
- 3 If you select “Yes”, all channels will be deleted.
- 4 In step 1 and step 2, press key 『Exit』 can exit the function directly without saving anything.

? Frequently Asked Question

Q: IF I accidentally delete all channels, what should I do?

- A:** there are two ways to restore:
- ✧ To re-search all channels in “Installation” function.
 - ✧ Use “Default Value” function to restore all channels in “Tools” function.

Basic Operations

4. Installation

How to enter "installation" menu:

Press key [Volume +/Volume -] to select "Installation" from the menu page of "Channel", "Installation", "System setup" and "Tools".

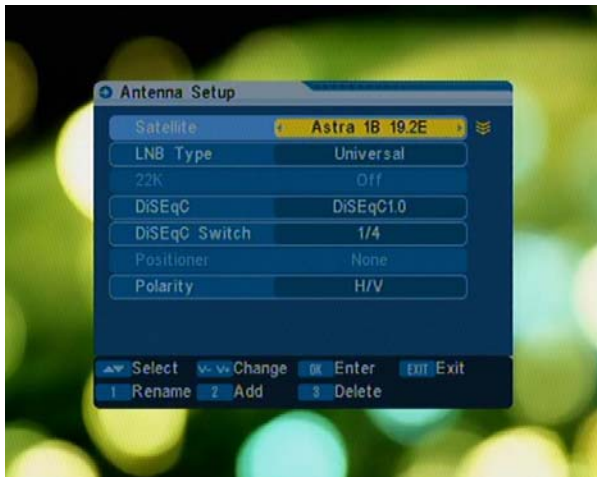
When you enter "Installation" menu, it will display the screen like below:



- 1 Press [Ch+/Ch-] keys to select menu items among Antenna, Setup, Auto Scan, TP Scan and Preset Scan.
- 2 Press key [OK] to enter the selected item.

4.1 Antenna Setup

When you enter "Antenna Setup" menu, it will display the screen like below:



In Antenna Setup mode:

- 1 Satellite: In this item, pressing keys [Volume +/Volume -] will switch Satellites and pressing key [OK] can enter satellite list for you to select directly.

- 2 LNB Type: In this item, pressing [Volume +/Volume -] keys will switch among "Standard", "User" and "Universal" mode.

For Example: If you use the Dual LNB, you should select "User" option in "LNB Type" and set the correct frequency in LNB Type, then the channel will play normally

There are several frequencies for selection: 5150 / 5750 / 5950 / 9750 / 10050 / 10600 / 10700 / 10750 / 11300.

- 3 22K: You can use [Volume +/ Volume -] keys to switch "ON / Off". When this item is switched to "ON", the receiver will receive TV and radio input signal from 22K port. If the item is switched to "Off", the receiver will receive all signals from 0K port.
- 4 DiSEqC: You can use [Volume +/ Volume -] keys to switch options between "DiSEqC1.0" and "DiSEqC1.1".

DiSEqC Switch: you can press [Volume +/ Volume -] to switch the options below:

- ✧ Disable: without DiSEqC.
- ✧ 1/2, 2/2: two ports DiSEqC
- ✧ 1/4, 2/4, 3/4, 4/4: 4 ports DiSEqC
- ✧ 1/8, 2/8... 8/8: 8 ports DiSEqC
- ✧ 1/16, 2/16... 16/16: 16 ports DiSEqC

- 5 Positioner: In "Positioner" item, you can press [Volume +/ Volume -] keys to switch "None / DiSEqC 1.2" functions.
- 6 Polarity: In "Polarity" item, [Volume +/ Volume -] keys are used to switch "HV/ H / V" functions.

4.2 Auto Scan

When you enter "Auto Scan" menu, it will display the screen like below:

Basic Operations

4.3 TP Scan

When you enter “TP Scan” menu, it will display the screen like below:

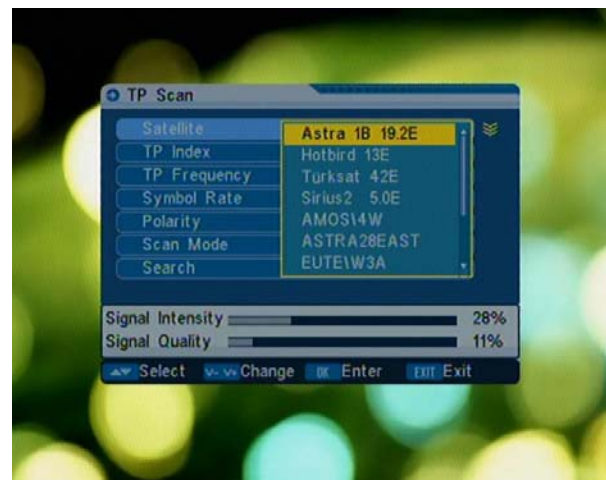


You can move the highlight from “satellite” to “search” by pressing [Ch+/Ch-] keys

- 1 In “Satellite” item, press [Volume +/ Volume -] keys to select satellite you want to scan. Otherwise, press key [OK] to open the “satellite list” to select directly.
- 2 In “Scan Mode” item, press [Volume +/ Volume -] keys to scan all channels or just free channels.
- 3 In “Scan channel” item, press [Volume +/ Volume -] keys to scans TV + Radio Channels, TV channels or Radio channels.
- 4 In “Search” item, press [OK] key to start scanning. The scanning screen will display like below. (The lower part of the screen will display the process and show the current scanning channels.)



- 5 In the “Auto Scan” menu, press [Exit] key to exit back from the scanning by saving the current value.



You can move the highlight from “satellite” to “search” by pressing [Ch+/Ch-] keys

- 1 In “Satellite” item, press [Volume +/ Volume -] keys to switch satellite that you want to scan. Otherwise, press key [OK] to enter satellite list for selection.
- 2 In “TP Index” item, you can use both [Volume +/ Volume -] keys in the screen to select transponders.
 - ✧ In “TP Index” item, when you press key [1] , it will display “New Carrier”; You should set the parameters of “TP Frequency” and “Symbol Rate” for this new transponder. The parameters of “TP Frequency” and “Symbol Rate” can be set by number keys or [Volume +/ Volume -] keys to. The available ranges are “3000~13000 MHz” and “1000~45000Ks/s”.
 - ✧ When you press key [2] , it will show a warning message for reminding whether you will delete the current transponder or not. If you select “Yes”, the current transponder will be deleted, and the total account of transponders will be reduced by 1 .
- 3 For the existing transponder, you can also use number keys or [Volume +/ Volume -] keys to modify the parameters of “TP Frequency” and “Symbol Rate”.
- 4 “Polarity” and “Scan Mode” are used for setting scanning conditions, you can press [Volume +/

Basic Operations

Volume -] keys to select different modes. “Polarity” means you want to scan this TP in horizontal mode or vertical mode. “Scan Mode” means you want to scan all channels or free channels.

- 5 When you complete your modification, move highlight to “Search” item and press [OK] key, and it will start scanning. The scanning screen is like below:



- 6 In the “TP Scan” item, press key [Exit] to exit the scanning with saving the current parameters.

4.4 Preset Scan

Basically, the setting of “Present Scan” is as same as “Auto Scan”, **but there is one different point:** in Auto Scan mode, system can scan all channels of the satellite, but in Preset Scan mode, system can only scan the channels that have already been set in the unit.

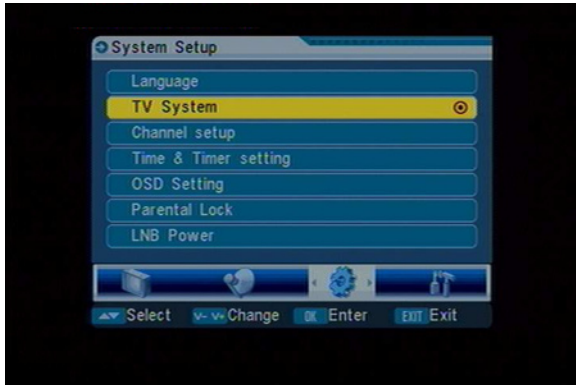
Basic Operations

5. System Setup

How to enter "system setup" menu:

Press key [Volume +/Volume -] to select "system setup" from menu pages of "Channel", "Installation", "System setup" and "Tools".

When you enter "System Setup" menu, you will see the screen like below:



In "System Setup" menu:

- 1 Press [Channel Up/Channel Down] keys to select menu items among Language, TV System, Channel setup, Time & setting, OSD Setting, Parental Lock and LNB Power.
- 2 Press key [OK] to enter the selected item.

5.1 Language

When you enter "Language" menu, you will see the screen like below:



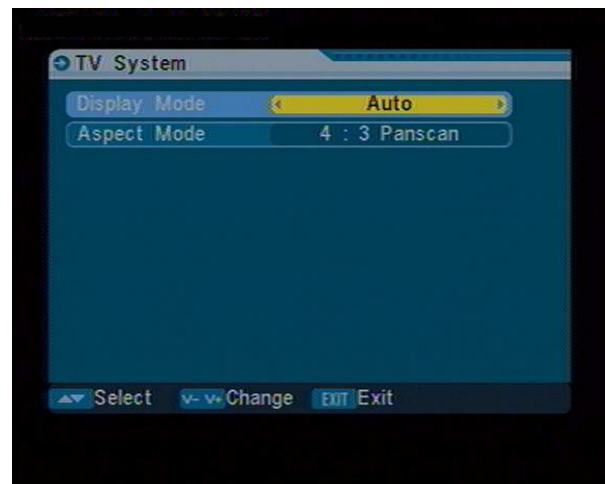
- 1 Language: press [Volume +/ Volume -] keys to select languages. The selected languages include: English, French, German, Russian, Arabic, Portuguese, Turkish, Spanish, Polish and Italian.
- 2 First Audio: Some channels have more than one audio language for selection; by this function you can set the first audio for this channel. If the

playing channel has the same audio as the "First Audio" you set, system will play this audio language as default. Otherwise, the system will automatically compare with second audio language. The selections of audio languages include: English, French, German, Russian, Arabic, Portuguese, Turkish, Spanish, Polish and Italian.

- 3 Second Audio: If the channel has no corresponding audio with "Second Audio" instead of "First Audio", system will play the second audio language as default. If no audio languages correspond with the "Second Audio", the default language of current channel will be played automatically. The selections of audio languages include: English, French, German, Russian, Arabic, Portuguese, Turkish, Spanish, Polish and Italian.
- 4 Press key [Exit] to exit out of "Language" menu.

5.2 TV System

When you enter "TV System" menu, you will see the screen like below:



- 1 Display Mode is used for switching the screen-displaying mode. Now we provide options below: Auto / PAL-M / PAL-BG / NTSC. You can press [Volume +/ Volume -] key to select each mode .
- 2 Aspect Mode is used for switching the screen aspect ratio mode. Now we provide options below:

Basic Operations

4:3 PS / 4:3 LB / 16:9. You can press [Volume + / Volume -] key to select each mode .

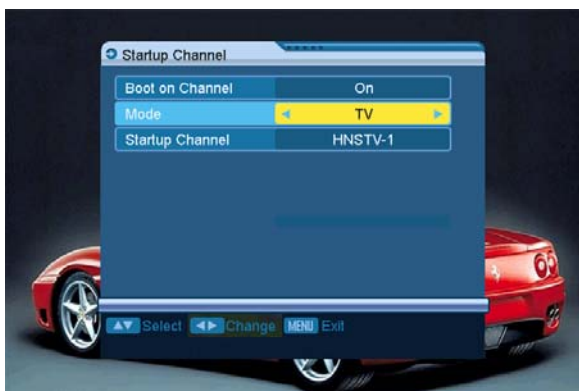
- 3 Video Output is used to switch video output modes. We provide the options below: CVBS and S-Video. Selecting [CVBS] will only have CVBS output from the video output. Selecting [S-Video] will have both CVBS and S-Video outputs. You can press [Volume+ / Volume-] key to select each mode circularly.
- 4 Press [Exit] key to exit "TV System" menu.

5.3 Channel Setup

When you enter "Channel Setup" menu, you will see a screen like below:



- 1 Startup Channel: Press key [OK] to enter "Startup Channel" menu, and you will see the screen like below:



- ✧ If the setting of "Boot on Channel" is "On", it means the following two items can work. If the setting is "Off", it means the function can't work.
- ✧ In the "Mode" item, you can set the "Startup Channel" as "TV channel" mode or "Radio channel" mode.
- ✧ In "Startup Channel" menu, you can press key [OK] to open the channel list, and select the channel that you want to start, then press key [OK] again to confirm.

Channel Play type: Press key [OK] to enter "Channel Play Type" menu, and you can select the "playing channels" as "Free", "Scrambled" or "All".

For Example: If you select "Free", in full screen play, all scrambled channels will be skipped when you change channels by using [Channel up / Channel Down] key.

- 2 Press [Exit] to exit out of "Channel Setup" menu.

5.4 Time & Timer Setting

When you enter "Time & Timer Setting" menu, you will see "Time" and "Timer" items.

- 1 Time: When you select "Time" and press key [OK] to enter the menu, you will see the screen like below:



- ✧ GMT Usage: This item is used for opening GMT. You can press [Volume + / Volume -] keys to switch "On/Off".
- ✧ The "GMT Offset" item is valid only when the setting of "GMT Usage" is "Yes". You can press [Volume + / Volume -] keys to switch "GMT Offset" value, and the range is "-12:00 ~ +12:00", increasing each half hour progressively.
- ✧ "Date" and "Time" items are valid only when the setting of "GMT Usage" is "No". You can press [Volume + / Volume -] keys to move highlight and use number keys to input directly.
If the current channel provides the correct time, you will see it while you enter "Time" menu. If not, you have to input the date and time manually.

Basic Operations

- ◇ Press key 『Exit』 to exit out of “Time” menu.
- 2 Timer Setting: Select “Timer” item and press key 『OK』 to enter “Timer” menu.
 - ◇ Current time will be displayed on the first column; if it is incorrect, please modify the time in “Time” item.
 - ◇ Timer Number: You can press 『Volume + / Volume -』 keys to set Timer number, and there are 8 timers totally.
 - ◇ Timer Mode: There are several modes for setting Timer, including Off, Once, Daily, Weekly, Monthly and Yearly.
 - ◇ Timer Service: There are two options for “Timer Service”, including Channel (timer setting for channel change and Wakeup/Sleep) and Message (reminding message).
 - ◇ When you select “Channel” (timer setting for channel change and Wakeup/Sleep) option in “Timer Service”, the screen will display like below:



- Wakeup Channel: press key 『OK』 to enter channel list and select channel that you want to set.
- Wakeup Date: use number keys to input your wakeup date.
- On Time: use number keys to input your wakeup time. Once the time's up, no matter what the system is in standby or playing mode, the system will automatically switch to the channel you select and start to play.
- Duration: After you set a time for “Duration” item, once the time's up, the system will

automatically switch to standby mode. If you don't want to make this function work, set the duration as 00:00.

- ◇ When you select “Message” (reminding message) option in “Timer Service”, the screen will display like below:



- Wakeup Message: press 『Volume + / Volume -』 keys to select reminding message as Birthday, Anniversary and General.
- Wakeup Date, you can use number key to input your wakeup date.
- On Time: use number keys to input your wakeup time. Once the time's up, no matter what the system is in standby or playing mode, the system will automatically pop a reminding message.
- The message will always be displayed on the screen, you can press key 『Exit』 to close it.
- Press 『Exit』 key to exit out of “Timer” menu.

5.5 OSD Setting

When you enter “OSD Setting” menu, you will see a screen like below:

Basic Operations



- 1 Menu Style: offers five different colors; you can press [Volume +/Volume -] keys to select your favorite style.
- 2 Subtitle Display: You can press [Volume +/Volume -] keys to select "On" or "Off". If the current channel has subtitle information, it will show up while this function is "On". If this function is "Off", no subtitle information will be shown.
- 3 OSD Timeout: When you switch channels in full screen, it will show information about current channel on the bottom of the screen. In regards to the duration of this information showing up on the screen, you can press [Volume +/Volume -] keys to set the time. The range of the duration is "1 second ~ 10seconds".
- 4 OSD Transparency: Besides the setting of "OSD Menu Style", you can also set the transparency of OSD. You can press [Volume +/Volume -] keys to select the values. There are 5 levels of transparency: 10%, 20%, 30%, and 40% and "NO" (means no transparency function).
- 5 Load OSD Setting Default: If you are not satisfied with your setting, you can move highlight to this item and press key [OK] to reset parameters as default value.
- 6 Press key [Exit] to exit out of the "OSD Setting" menu.

5.6 Parental Lock

You can set a password in the "Installation"

menu, and you can also set the

password for the locked channels. (Please refer to

[LOCK](#) to see *how to set the locked channel*) It will show you how to set and revise the password.

- 1 In "Parental Lock" function, press key [OK], it will show a dialogue for you to input the password. When you input the correct password, you will see a screen like below:



- 2 Menu Lock determines whether users have to input password or not when they want to enter "Installation" menu. If the setting of "Menu Lock" is "Yes", it means users have to key in password. "No" means unlock.
- 3 Channel Lock determines whether users have to input the password or not when they wish to play the locked channels. If the setting is "Yes", play the channels with lock mark will show a dialogue on the screen and ask for the password. If the setting of "Channel Lock" is "No", that means the function of locking will be invalid.
- 4 New Password is used for revising password; you can input the new password in this item by using number keys directly. After you fill in 4 digital numbers, the highlight will automatically skip to confirm password and ask you to input the new password again. If the password is correct, the screen will show a message of "Saving Data, Please Wait...". After saving and exiting back to "System Setup" menu, the revised password is complete.

Basic Operations

- 5 Press key 『Exit』 to exit out of the “Parental Lock” menu.

5.7 LNB Power

In “LNB Power”, there are two options, “On” and “Off” for your selection. If the setting is “On”, the receiver will supply power to satellite antenna. If the setting is “Off”, there is no supplied power to satellite antenna.

6.Tools

When you select “Tools” from menu pages of “Channel”, “Installation”, “System up” and “Tools”, you will see a screen like below:



- 1 Press 『Channel +/Channel -』 key to select menu items among Information, Game, Default Value and Software Upgrade
- 2 Press key 『OK』 to enter the selected item.

6.1 Information



- 1 When you enter “Information” menu, you will see a screen like above. The screen displays some parameters of current channel, and this function is the same as the 『Information』 in the full screen playing mode.
- 2 Press 『Exit』 key to exit out of “Tools” menu.
- 3 Key 『beeper』 is used to show the quality of signal. Strong signal makes it beep loud and vice versa. Press key 『beeper』 to make it beep and press the key again to end up beeping.

6.2 Game

When you enter “Game” menu, you will see three Games include Tetris, Snake and Othello.

Basic operations:

1 Tetris

- ✧ Move highlight to “Setup” and press 『Volume+/Volume -』 keys to select the game levels (speed).
- ✧ Move highlight to “Start” and press key 『OK』 to start the game.
- ✧ Move highlight to key 『Cancel』 and press key 『OK』 to exit out of the game.
- ✧ Start the game:
 - 『Volume +/Volume -』 – Move shape left or right
 - “Ch +” – Rotate clockwise
 - “Ch-” – Faster drop
 - 『OK』 – Pause/Play the game
 - 『Exit』 – Quit game and exit back to “Game” menu.

2 Snake

- ✧ Move highlight to “Setup” and press 『Volume +/Volume -』 keys to select the game levels (speed).
- ✧ Move highlight to “Start” and press key 『OK』 to start the game.
- ✧ Move highlight to key 『Cancel』 and press key 『OK』 to exit out of the game.
- ✧ Start the game:
 - 『Volume +/Volume -/Channel+/Channel -』 – use these keys to guide the snake.

Basic Operations

- 『OK』 – Pause/Play game
- 『Exit』 – Quit game and exit back to “Game” menu.

3 Othello

- ✧ Move highlight to “Setup” and press 『Volume +/Volume -』 keys to select the game levels (degrees of difficulty).
- ✧ Move highlight to “Start” and press key 『OK』 to start the game.
- ✧ Move highlight to “Cancel” and press key 『OK』 to draw back from the game.
- ✧ Start the game:
 - 『Volume +/Volume -/Channel UP/Channel Down』 – use these keys to guide chessman.
 - 『OK』 – set chessman.
 - 『Exit』 – Quit game and exit back to “Game” menu.

- 2 Turn on slave receiver and there is no need to change any setting.
- 3 Move highlight to “Start” master receiver and press key 『OK』 to start upgrading.
- 4 Press key 『Exit』 to save the parameters and exit.

6.3 Default Value

When you press key 『OK』 in the “Default Value” item:

- 1 There will pop a dialogue for you to input the password. The default password is “0000”.
- 2 After you input the correct password, it will show a warning message to inform you “The operation will load default and erase all the channels that users added, continue?”. **If you select “Yes”, all the revised parameters of the receiver will be reset to default value.** Please use this function carefully.
- 3 In step 1 and step 2, pressing key 『Exit』 can exit out of this item without saving.

6.4 Software Upgrade

We offer the functions for users to connect receiver (Master) to the other ones (Slave) via serial interface.

- 1 Connect the master receiver to the slave receiver using a NULL modem cable. Enter “Software Upgrade” menu in master receiver and press 『Volume +/Volume -』 keys to switch upgrading mode. Upgrading modes include: allcode / maincode / radioback / defaultdb / userdb/ userback/ beep