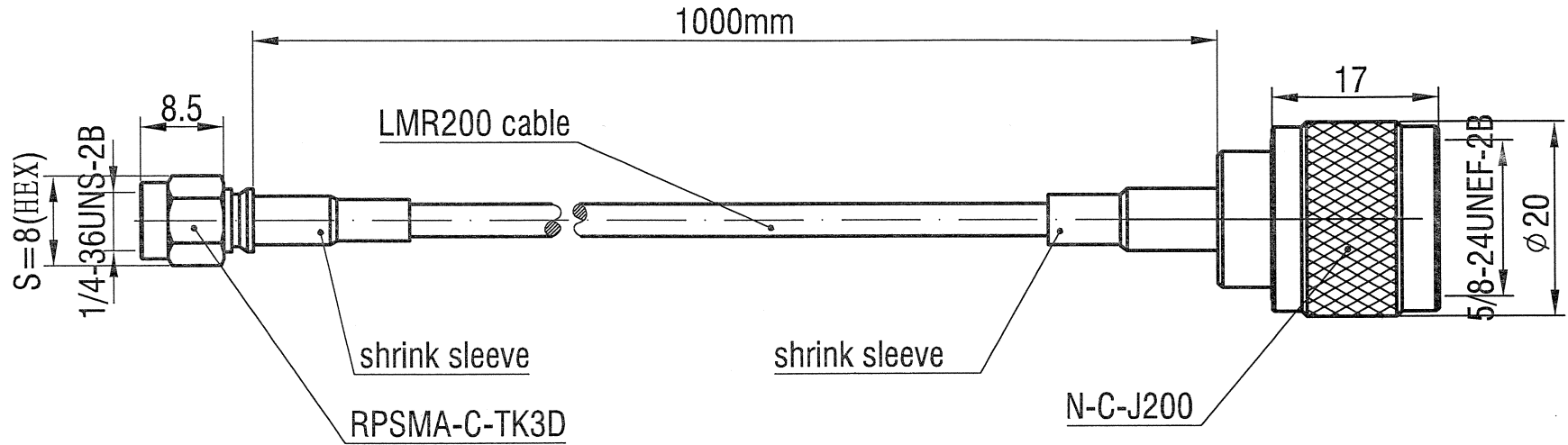


DMS International



07-09-30

Register

Old base drawing number

base drawing number

signature

Date

dimensions in millimeter (mm)

					Title:				
						Version	QTY	Weight (KG)	Scale
						V1.0			
						Total	Pages	The	Page
Mark	Num.	File number	signature	Date					
Design									
Drawing									
Check									
Approval									